

R4 EXECUTIVE SEATING

SELECT

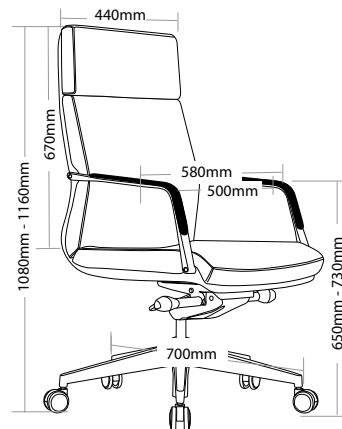
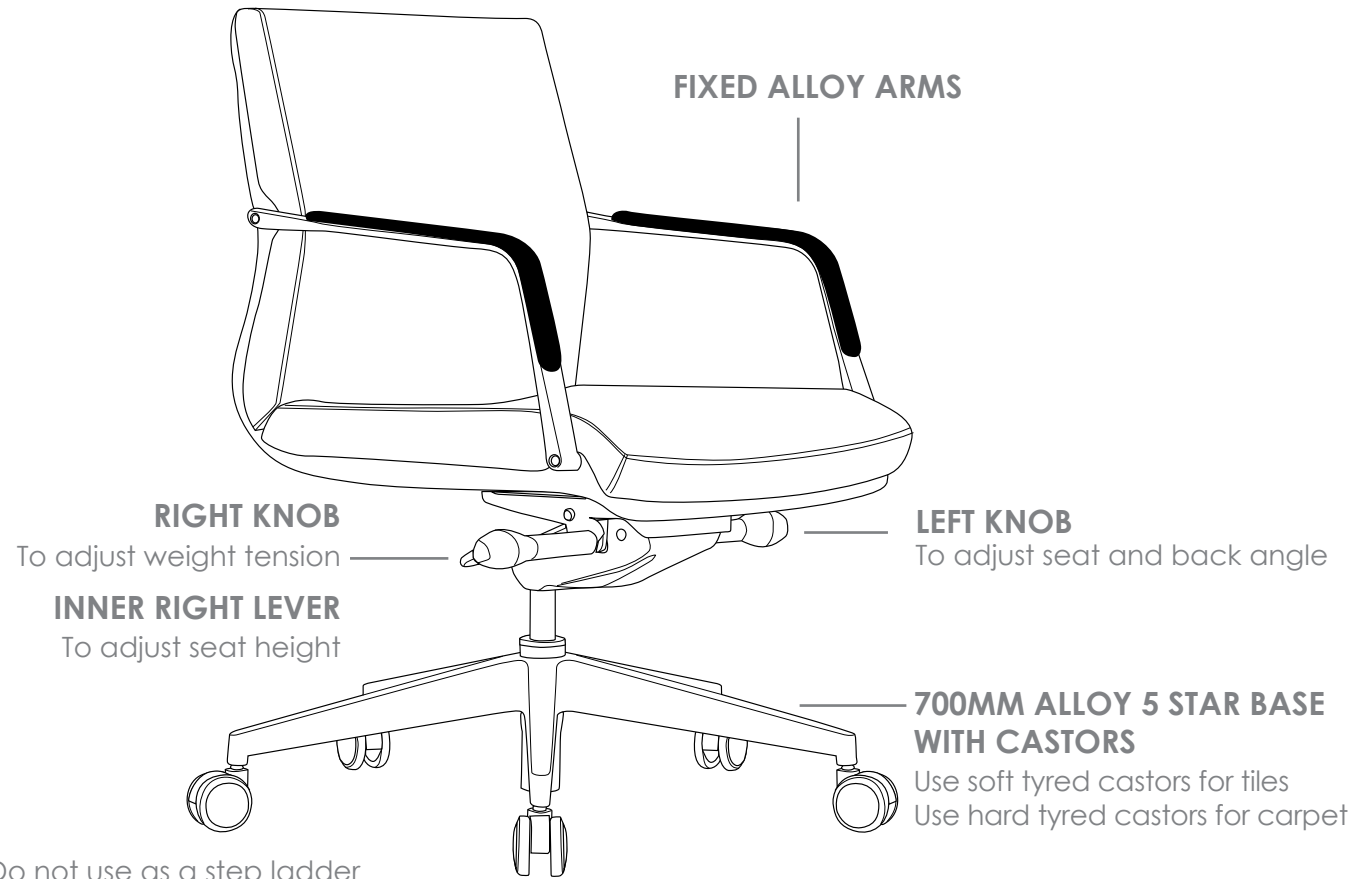


FEATURES

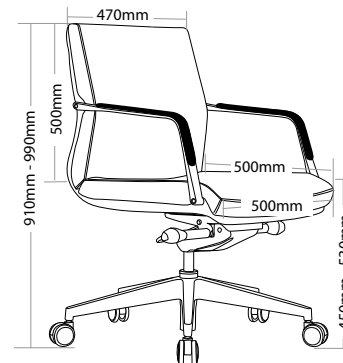
- » Adjustable seat height
- » Adjustable seat and back angle
- » Adjustable weight tension
- » Available in high and low back
- » Fixed alloy arms
- » Knee tilt mechanism with 4 locking positions
- » 700mm alloy base
- » Available in A grade Italian leather only
- » Minor assembly required
- » Suitable for indoor use only
- » 5 year warranty
- » Weight limit 130kg



INDOOR USE ONLY



SELECT-H



SELECT-L

SELECT EXECUTIVE SEATING



SELECT-H



SELECT-L



BACK VIEW